



# MINIATURE HIGH PRESSURE PRESSURE TRANSDUCER

## HKM-312 (M) SERIES

- Excellent Stability
- All Welded Construction
- Robust Construction
- Silicon on Silicon Integrated Sensor **VIS**<sup>®</sup>
- High Natural Frequencies
- 5/16-24 UNF-2A or M8 X 1 Thread
- Intrinsically Safe Applications Available (i.e. IS-HKM-312)

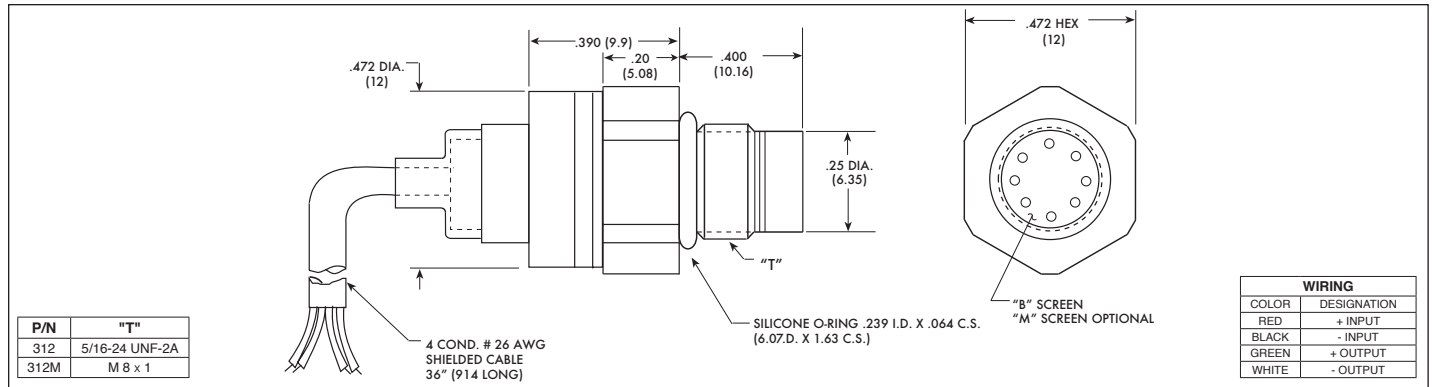


The HKM-312 is a miniature threaded pressure transducer. The hexagonal head and o-ring seal make it easy to mount and simple to apply.

The HKM-312 utilizes a flush metal diaphragm as a force collector. A solid state piezoresistive sensing element is located immediately behind this metal diaphragm which is protected by a metal screen. Force transfer is accomplished via non-compressible silicone oil. This sensing sub assembly is welded to a stainless steel body.

This advanced construction results in a highly stable, reliable and rugged instrument with all the advantages of microcircuitry: significant miniaturization, excellent repeatability, low power consumption, etc. The miniaturization process also yields a marked increase in the natural frequencies of the transducers, making them suitable for use even in shock pressure measurements.

Kulite recommends the [KSC Series](#) of signal conditioners to maximize the measurement capability of the HKM-312 transducer.



INPUT	Pressure Range	7 100	35 500	70 1000	170 2500	350 5000	700 BAR 10000 PSI
	Operational Mode	Absolute, Sealed Gage					
	Over Pressure	2 Times Rated Pressure to 500 PSI (35 BAR), 1.5 Times Rated Pressure Above 500 PSI (35 BAR)					
	Burst Pressure	3 Times Rated Pressure					
	Pressure Media	Any Liquid or Gas Compatible With 15-5 PH or 316 Stainless Steel (All Media May Not Be Suitable With O-Ring Supplied)					
	Rated Electrical Excitation	10 VDC/AC					
	Maximum Electrical Excitation	12 VDC/AC					
	Input Impedance	1000 Ohms (Min.)					
OUTPUT	Output Impedance	1000 Ohms (Nom.)					
	Full Scale Output (FSO)	100mV (Nom.)					
	Residual Unbalance	± 5 mV (Typ.)					
	Combined Non-Linearity, Hysteresis and Repeatability	± 0.1% FSO BFSL (Typ.), ± 0.5% FSO (Max.)					
	Resolution	Infinitesimal					
	Natural Frequency of Sensor Without Screen (KHz) (Typ.)	Greater Than 400 KHz					
	Acceleration Sensitivity % FS/g Perpendicular	1.4x10 <sup>-4</sup>	1.1x10 <sup>-4</sup>	6.2x10 <sup>-5</sup>	2.4x10 <sup>-5</sup>	1.5x10 <sup>-5</sup>	1.3x10 <sup>-5</sup>
	Insulation Resistance	100 Megohm Min. @ 50 VDC					
ENVIRONMENTAL	Operating Temperature Range	-20°F to +250°F (-29°C to +120°C)					
	Compensated Temperature Range	+80°F to +180°F (+25°C to +80°C) Any 100°F Range Within The Operating Range on Request					
	Thermal Zero Shift	± 1% FS/100° F (Typ.)					
	Thermal Sensitivity Shift	± 1% /100° F (Typ.)					
	Linear Vibration	10-2,000 Hz Sine, 100g. (Max.)					
PHYSICAL	Mechanical Shock	20g half Sine Wave 11 msec. Duration					
	Electrical Connection	4 Conductor 26 AWG Shielded Cable 36" Long					
	Weight	15 Grams (Max.) Excluding Cable					
	Pressure Sensing Principle	Fully Active Four Arm Wheatstone Bridge Dielectrically Isolated Silicon on Silicon					
Mounting Torque	50 Inch-Pounds (Max.) 6 Nm						

Note: Custom pressure ranges, accuracies and mechanical configurations available. Dimensions are in inches. Dimensions in parenthesis are in millimeters. All dimensions nominal. (K) Continuous development and refinement of our products may result in specification changes without notice. Copyright © 2014 Kulite Semiconductor Products, Inc. All Rights Reserved. Kulite miniature pressure transducers are intended for use in test and research and development programs and are not necessarily designed to be used in production applications. For products designed to be used in production programs, please consult the factory.